

# Concise User Manual



## NANO FIRE DETECTION AND EXTINGUISHING CONTROL SYSTEM



## TABLE OF CONTENTS

1	DOCUMENT REVISION DETAILS	3
2	IMPORTANT NOTES	3
3	WARRANTY	3
4	INTRODUCTION	4
5	ENCLOSURE & INSTALLATION	4
6	MAINTENANCE & CLEANING	4
7	KEY PROPERTIES	4
8	NANO	5
9	FEATURES NANO	5
	9.1 ACOUSTIC ALARM	5
	9.2 EXTINGUISHANT RELEASE OUTPUT	5
	9.3 HISTORIC EVENT LOG	5
	9.4 COMMUNICATION PORT	5
	9.5 DIRECT RELEASE	6
	9.6 VEHICLE MODE	6
	9.7 GENERAL FAULT RELAY	6
	9.8 VFC FIRE RELAY ACTIVE IN SINGLE OF DUAL MODE ALARM	6
	9.9 SINGLE OR DUAL ZONE	6
	9.10 EXTINGUISHANT RELEASE DELAY	6
10	INPUTS	6
	10.1 DETECTION ZONES	6
	10.2 EXTERNAL RELEASE INPUT	7
	10.3 EXTERNAL HOLD INPUT	7
11	OUTPUTS	7
	11.1 MONITORED EXTINGUISHING OUTPUT	7
	11.2 MONITORED SOUNDER OUTPUT	7
12	CONTROL BUTTONS	7
	12.1 Mute	7
	12.2 RESET	7
	12.3 LAMP TEST	7
	12.4 HOLD EXTINGUISHING RELEASE	8
	12.5 AUTOMATIC & MANUAL RELEASE OR MANUAL ONLY MODE	8
	12.6 EXTINGUISHING RELEASE	8
13	LED INDICATORS	8
	13.1 MANUAL RELEASE ONLY	8
	13.2 AUTOMATIC & MANUAL RELEASE	8
	13.3 POWER	8
	13.4 COMMON FIRE	8
	13.5 FIRE ZONE ALARM	9
	13.6 Extinguishing released	9
	13.7 EXTINGUISHING DELAY	9
	13.8 GENERAL FAULT	9
	13.9 FIRE ZONE FAULT	9
	13.10 EXTINGUISHING RELEASE HOLD	9
	13.11 EXTINGUISHING RELEASE FAULT	9
	13.12 INTERNAL FAULT INDICATORS	9
14	DIP SWITCHES	10
	14.1 STANDARD SETTING	10
	14.2 DIRECT RELEASE (DP1)	10
	14.3 VEHICLE MODE (DP2)	10
	14.4 EXTINGUISHING RELEASE OUTPUT (DP3)	10
	14.5 SINGLE OR DUAL FIRE ALARM (DP4)	10
	14.6 VFC RELAY (DP5)	10
	14.7 EXTINGUISHING DELAY TIMER (DP6-7-8)	10
15	WIRING DIAGRAM NANO CONNECTED TO IGNITERS (METRONS)	11
16	WIRING DIAGRAM NANO CONNECTED TO AN ETB	11
17	CONNECTING USING THE EXTINGUISHER TERMINAL BOARD	12
18	WIRING DIAGRAM OF THE NANO MEANT FOR SOLENOID SYSTEM	12
19	WIRING & CABLE SPECIFICATIONS:	13
20	TECHNICAL SPECIFICATION	13
21	DEVICES SUPPORTED BY THE NANO	14
	21.1 DETECTION DEVICE SUPPORT	14
	21.2 SOUNDER / BEACON DEVICE SUPPORT	14
22	NANO FIRE DETECTOR AND WIRING OPTIONS	14
23	NANO EXTERNAL EXTINGUISHERS RELEASE & HOLD WIRING OPTIONS	15
24	NANO EXTERNAL VTB-EM SOUNDER & BEACON WIRING OPTIONS	15
25	NANO EXTINGUISHERS CONNECTIONS	16



# 1 DOCUMENT REVISION DETAILS

Issue	Modification Detail	Author	Date
01	1 <sup>st</sup> publishing document	CvT	01 / 08 / 2022
02	Textual addition chapter 20 (environment & power)	CvT	01 / 09 / 2022

## 2 IMPORTANT NOTES

This manual should be thoroughly read and understood before installation and/or commissioning of the system is undertaken. This concise user manual is an integral part of the extended and original NANO user manual version 2.2 September 2022. The NANO system is not to be regarded as properly used when it is used without regard to any relevant information or advice relating to its use that has been made available by the supplier. The NANO system and the associated connections must be installed, commissioned, and maintained by a skilled, knowledgeable, and competent person or organization that is qualified to perform this work and is familiar with the objective of the equipment and the associated technical terminology. This equipment is not guaranteed unless the complete installation is installed and commissioned in accordance with the laid down local, national and/or international standards.

The NANO/MAR has successfully passed CE and FCC, EMC testing according to EN 50130, EN 61000, EN 55016, 47 CFR15-ICES-003, ANSI 63.4, IEC60945-pt11 and a DNV marine type approval according the DNV Class Guideline 0339-2021,certificate TAA000037H. For that the NANO has endured extensive environmental tests such as vibration, dry & damp heat, and cold tests in accordance with the requirements of the DNV-CG 0339-2021 standard. Where applicable to the NANO, it also meets the requirements of the FSS CODE, the International Maritime Code for Fire Safety Systems.

## 3 WARRANTY

N2KB B.V. represents the NANO system and is free from defects in materials and workmanship. Our warranty does not cover a NANO system which is damaged, misused, and/or used contrary to the supplied operating manuals or which has been repaired or altered by others. The liability of N2KB B.V. is at all times limited to repair or, at N2KB BV's discretion, replacement of the NANO system. N2KB B.V. shall not under any circumstances be liable for any indirect, special, or consequential damages such as, but not limited to, damage or loss of property or equipment, cost of de-installation or reinstallation, cost of transport or storage, loss of profits or revenue, cost of capital, cost of purchased or replacement goods, or any claims by customers of the original purchaser or third parties or any other similar loss or damage, whether incurred directly or indirectly. Remedies set forth herein to the original purchaser and all others shall not exceed the price of the NANO system supplied. This warranty is exclusive and expressly in lieu of all other warranties, whether expressed or implied, including, without limitation, any warranties of merchantability or fitness for a particular purpose. The warranty may be void if the equipment is damaged by ESD.

### Reservations

The diagrams of operating principles of the NANO fire detection and extinguishing system, included in this annual, are only intended to support this manual. No part of this manual may be reproduced, stored in an automated database, or made public in any form or by any means either electronically, mechanically or by photocopying, recording, or in any other way, without prior written permission from N2KB BV. The policy of the N2KB BV is one of continuous improvement, and as such, we reserve the right to amend product specifications at any time and without prior notice. Errors and omissions excepted.



## 4 INTRODUCTION

---

The NANO is a very compact and robust stand-alone fire detection-extinguishant release panel designed to protect various applications like electrical cabinets, CNC machines or engine rooms in vessels, yachts. Further all kind of vehicles and other small areas or equipment in which the user should be able to detect and extinguish a fire rapidly and effective. The NANO is a versatile fire alarm / extinguishing system with a high-performance level intended for small and compact system. In a marine application, it is NOT common for a fire suppression system intended for an engine room to be released by automatic fire detector. By default, the NANO is set to only manual release, but can also be changed to automatic & manual release via push buttons on the front.

## 5 ENCLOSURE & INSTALLATION

---

The NANO/MAR control panel should be mounted on a dry, flat surface, at eye height in a horizontal position so that the enclosure cannot deformed. The NANO/NAO should be installed in an accessible area. The enclosure is provided of 7 predrilled holes for cable glands. Enclosure material is ABS suitable for outdoor use IP65. To ensure the IP rating the cables must be brought in using the appropriate cable glands. Dimensions enclosure 120 x 80 x 58,5 mm w x h x d



## 6 MAINTENANCE & CLEANING

---

There are not user-replaceable parts in the NANO. Take Electrostatic Discharge (ESD) precautions when opening the NANO. Always wear a properly grounded anti-static wrist strap. Avoid direct contact with any of the components or connectors connected to the printed circuit board. Never let the electronics come in contact with clothing. The ground strap cannot dissipate static charges from fabrics. Failure to follow accepted ESD handling practices could cause damage to the NANO. It is important to note that improper cleaning of the NANO front can damage this panel inhibit their ability to sense fire and activate the fire extinguishers. To remove dust and contaminants, **use nonalcoholic** products which has been designed for that purpose. **Do not use high pressure or stream cleaners.**

## 7 KEY PROPERTIES

---

- Able to set to manual, single stage or double stage detection, alarm, and extinguishing
- Outputs for fire, fault, extinguishing released, ventilation off and visual & acoustic alarm device
- A full monitored output for the aerosol fire extinguishing generators
- Two full monitored fire alarm input groups (zones) for linear heat and / or point detectors
- Two full monitored alarm input groups for external extinguishing release and hold function
- Double extinguisher release buttons to prevent unwanted releases
- Extinguisher release delay to prevent unwanted releases which can be set between 0 and 35 sec
- Extinguishers hold release button to postpone releases
- Additional functionality regarding separated external hold-off functions
- Additional functionality regarding separated external release extinguishing functions
- Historic event log memory readable from a mini-USB port and a Modbus RS485 com port
- The NANO works on input voltage 8 to 28 Volt DC and is IP65 and ESD and EMC protected.

## 8 NANO

In addition to the NANO intended for land-based installations, a NANO version is available with a DNV-CG Type Approval in accordance with the 0339-2021 standard. This NANO system consists of two components. The basis is formed by the NANO control panel which is placed on the bridge or in its vicinity. Then there is an extinguisher terminal box (ETB). This ETB box must be placed outside, but in the immediate vicinity of the to protected engine room. **ETB/L** is suitable for an extinguisher igniting actuator with a maximum resistance of 2Ω. The **ETB/H** is suitable for an extinguisher igniting actuator with a maximum resistance of 4Ω. From the ETB box a cable led to the aerosol extinguisher installed in the volume to be protected. The cable connection between the



NANO control panel and the fire extinguisher ETB is continuously scanned for faults, such as short circuit or cable break. From the extinguishers terminal box (ETB) to the extinguisher's igniter is also constantly monitored for fault or malfunction. In a marine application, it is NOT common that a fire suppression system intended for an engine room protection is released by an automatic fire detector. However, the NANO has two fire alarm zones suitable for connecting marine approved fire detectors such as the Apollo Orbis Marine series fire detectors. The NANO system can be set up that fire alarms from these fire detectors, signaled on the NANO panel, considered as informative only. They don't have effect on the extinguishing system, nor activate the extinguishing system. By default, the NANO is set to only manual release, but can be changed to automatic & manual mode.



## 9 FEATURES NANO

### 9.1 ACOUSTIC ALARM

The NANO has an internal attention signal and a monitored output for external sounder/beacon.

### 9.2 EXTINGUISHANT RELEASE OUTPUT

The N2KB NANO is equipped with two activation techniques for the activation of fire extinguishing systems. By default, the NANO is programmed for the activation of electrical igniters intended for aerosol fire extinguisher generators, when DIP switch 3 is set to the ON position, the NANO is suitable for activating an extinguishing system with a solenoid as actuator.

### 9.3 HISTORIC EVENT LOG

The NANO has an historic event log memory of 10.000 events readable from a USB port. Connect an USB cable between the Mini-B USB port and your computer. The device will function as an USB stick.

### 9.4 COMMUNICATION PORT

The NANO has a Modbus network connection. Modbus enables communication among devices connected to the same network.



## 9.5 DIRECT RELEASE

When the timer settings are set to a delay (between 10 – 35 seconds), the direct extinguish DIP switch gives the choose to override the delay in case of a fire event. This function can be selected via DP1.

## 9.6 VEHICLE MODE

If the extinguishing system is intended for the protection of a vehicle engine bay, then a programmed extinguishing delay must be disabled, when the vehicle is parked, and the driver leaves the vehicle. Please note that the vehicle mode does not work in the only manual mode.

## 9.7 GENERAL FAULT RELAY

The general fault relay signals any fault in the NANO. The general fault relay is energized in quiescent state. In the event of a complete power failure, the general fault relay becomes inactive. This is fail-safe condition of the NANO panel.

## 9.8 VFC FIRE RELAY ACTIVE IN SINGLE OF DUAL MODE ALARM

A single or dual FIRE indication can trigger the VFC relay. You can choice to have the potential free contact active at the first or at the second fire alarm. This function can be selected via dip switch 5.

## 9.9 SINGLE OR DUAL ZONE

Usually, the extinguishing system is activated in the so-called two group-dependent status (avoiding coincidence). Two fire conditions must be met before an extinguishing activation be initiated. In some cases, a single mode status can be handy. This function can be selected via DIP switch 4.

## 9.10 EXTINGUISHANT RELEASE DELAY

Extinguishing delay is only useful in normally occupied spaces. For the delay timer settings, there are 3 Dip Switches 6,7 and 8, which can be set in steps of 5 seconds the delay time between 0 and 35 sec.

# 10 INPUTS

---

The NANO is equipped with two detection zones and two external button inputs (Extinguishing Release & Hold). These inputs are continuously scanned for alarm or fault detection. All inputs are monitored and require a 10 k $\Omega$  end of line resistor, even if the input is not used. The button inputs must have a trigger resistor between 470 and 1000  $\Omega$ .

## 10.1 DETECTION ZONES

The NANO is equipped with two fire detection zone inputs. The loop inputs are continuously scanned for fire or fault detection. The loops are set to the following values:

- RESISTANCE of less than 100  $\Omega$ : FAULT
- RESISTANCE of more than 100  $\Omega$  and less than 1,5 k $\Omega$ : FIRE
- RESISTANCE of more than 1,5 k $\Omega$  and less than 8 k $\Omega$ : FAULT
- RESISTANCE of more than 8 k $\Omega$  and less than 12 k $\Omega$ : NORMAL
- RESISTANCE of more than 12 k $\Omega$ : FAULT

## 10.2 EXTERNAL RELEASE INPUT

The NANO has a separate input for an external release extinguishing button. The external release extinguishing button has the same function as the dual release extinguishing buttons (fire buttons) on the front of the panel.

## 10.3 EXTERNAL HOLD INPUT

The NANO has a separate input for an external hold-off button. The external hold-off button has the same function as the internal hold-off button.

# 11 OUTPUTS

The NANO is equipped with 5 outputs, two monitored and three potential free. The monitored outputs are for the extinguishing release output and the electronic sounder/beacon and are scanned for open and short circuit fault conditions. The VFC outputs have a contact load of 30 VDC /1A.

## 11.1 MONITORED EXTINGUISHING OUTPUT

THE NANO is equipped with a fire extinguisher output monitored for short circuit and wire breakage. In combination with the ETB (Extinguishers Terminal Board), the NANO's extinguishing output is protected against reverse polarity and equipped with surge protection.

## 11.2 MONITORED SOUNDER OUTPUT

This output, intended for the optical and/or acoustical alarm device, is monitored for short circuit and wire break by placing a 10 KΩ end-of-line monitoring resistor in the loud alarm device.

# 12 CONTROL BUTTONS

The NANO has a clear and orderly front panel. The figure shows the controls and indications with text.

## 12.1 Mute

The buzzer can be silenced at any time by pressing the Mute button. To silence the external sounder, press the Mute button twice. In case of a second alarm the sounder and buzzer will be activated again.

## 12.2 RESET

After the cause of the alarm has been determined the NANO can be reset by pressing the Reset button. Manual Call Points, if triggered, must first be reset locally.

## 12.3 LAMP TEST

All indicators and buzzer can be tested at any time by pressing the **Mute and Reset** simultaneously.



## 12.4 HOLD EXTINGUISHING RELEASE

By pressing the hold button at the panel or external hold button, as long this button is pressed, the extinguishing release sequence will be halted and cause the yellow hold activated indicator flash. Release the Hold button shall re-start the countdown release timer from programmed time.

## 12.5 AUTOMATIC & MANUAL RELEASE OR MANUAL ONLY MODE

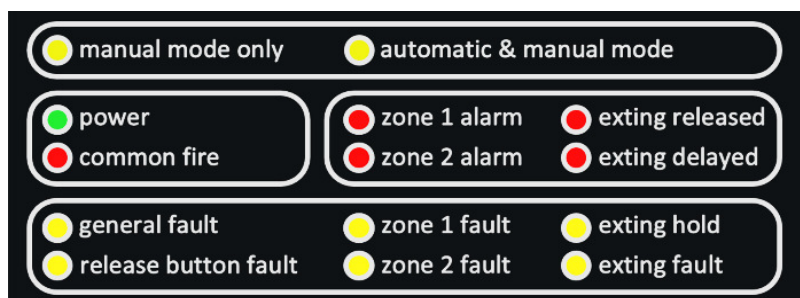
The mode of the system can be toggled between Manual Only and Automatic & Manual by operating the MODE push button on the NANO. When the system is in Manual Only mode, the extinguishant cannot be released by the operation of automatic detectors. To switch the system from manual only to automatic & manual, press the MODE push button for 3 seconds. Return, press the MODE again.

## 12.6 EXTINGUISHING RELEASE

When a fire emerges, press both front extinguishing release pushbuttons, this will trigger an alarm. The fire extinguishers will be released, depending on the DIP switch (time) settings.

# 13 LED INDICATORS

The NANO has 3 internal and 14 front LED indicators. Under normal condition only the green Power LED and either the Manual Only or Automatic and Manual LED lite.



### 13.1 MANUAL RELEASE ONLY

The yellow LED manual only lit the extinguishant will not be released by automatic detection.

### 13.2 AUTOMATIC & MANUAL RELEASE

The yellow LED automatic & manual lit. The extinguishant will be released by automatic detection and manual release button.

### 13.3 POWER

Under normal conditions the NANO control panel will have only the green power on LED lit and either the manual only or automatic & manual LED lit. Failure of the mains power or disconnection of the backup power will cause a fault. The power LED lite differently, indicating an abnormality in the power supply to the NANO. When starting the NANO after a power failure or an extinguishers release, the green power LED flashes for maximal 1 minute until the system is ready and this LED lit continuously.

If the mains power supply is NOT present, the power LED flashes 1 x per second and the yellow general fault LED lit. If the standby power supply is NOT present, the power LED flashes 2 x per second followed by a pause of 1 second, then repeating, the general fault and internal battery fault LED lit.

When the vehicle function (DP2) is enabled, the green power LED flashes at 1 x per second when vehicle is parked and switch to the secondary vehicle voltage.



### 13.4 COMMON FIRE

In the event of a fire alarm from either the fire alarm detectors or the operation of the extinguishant release pushbuttons, the red general fire LED will illuminate.

### 13.5 FIRE ZONE ALARM

Upon receipt a fire alarm condition caused by the activation of a fire detector, the red alarm indicator of the relevant fire alarm zone will flash.

### 13.6 Extinguishing released

The red extinguishing released indicator lights continuously when the extinguishers are activated. This extinguishing release indicator lights up after ending of the configured extinguishing delay time, or when the two extinguishing release buttons on the front or the external release button is activated.

### 13.7 EXTINGUISHING DELAY

The red extinguishing delay indicator indicates that the extinguishing release delay is active. This indicator flash when the delay time is running.

### 13.8 GENERAL FAULT

General fault indicator lights and specific fault indicators flash. This yellow fault indicator will light continuously at any fault condition or power malfunction.

### 13.9 FIRE ZONE FAULT

When the NANO has detected an error in one of the critical fire detection paths of the system, the specific yellow zone fault indicator flash and the general fault indicator lights up.

### 13.10 EXTINGUISHING RELEASE HOLD

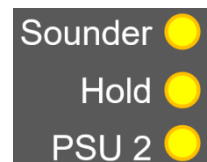
The yellow hold indicator flash and a different tone sounds as long the hold button on the panel front, or the external hold button is pressed.

### 13.11 EXTINGUISHING RELEASE FAULT

This yellow indicator lights up continuously when a critical fault is detected (open or short circuit) in the extinguishing output line.

### 13.12 INTERNAL FAULT INDICATORS

There are three extra yellow fault indicators on the internal electronic PCB, meant for second priority fault messages and these indicators will flash.



# 14 DIP SWITCHES

## 14.1 STANDARD SETTING

In a marine application, it is NOT common for a fire suppression system intended for an engine room to be released by an automatic fire detector but ONLY by manual release. The most common Marine setting of the NANO system is based on marine rules and standards. Under normal condition only the green Power LED and the Manual Only LED lite to indicate the system is operating correctly.

### Example setting for a vessel's engine room:

- The extinguishing delay time 20 seconds
- The NANO operate in the manual mode only
- The use of automatic fire detectors is only informative

## 14.2 DIRECT RELEASE (DP1)

If a fire alarm is detected, by the automatic fire detectors the countdown timer is started, you can override the timer when press the manual release.

## 14.3 VEHICLE MODE (DP2)

If the extinguishing system is intended to protect the engine bay of a vehicle, a programmed extinguishing delay must be disabled when the vehicle is parked.

## 14.4 EXTINGUISHING RELEASE OUTPUT (DP3)

The N2KB NANO is equipped with two activation techniques for the activation of fire extinguishing systems. Standard the NANO is programmed for the activation of electrical igniters from aerosol fire extinguisher units. When DIP is set in the ON position, the NANO is suitable for activate an extinguishing system using a solenoid. **Don't use DP3 ON** in combination with an ETB it **will damage** the NANO.

## 14.5 SINGLE OR DUAL FIRE ALARM (DP4)

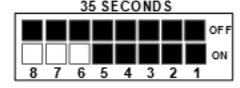
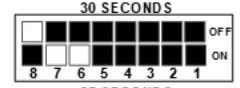
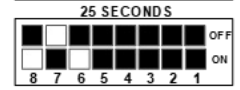
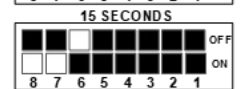
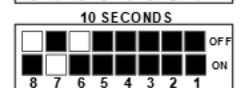
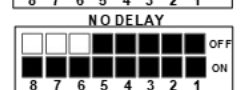
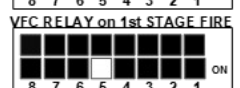
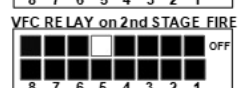
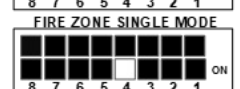
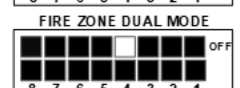
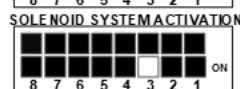
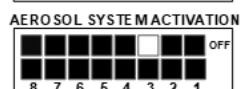
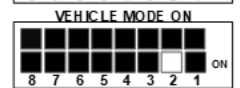
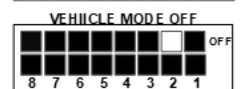
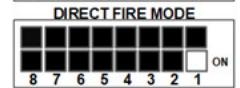
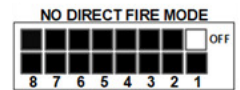
Normally we activate in dual fire zone mode. In some cases, a single mode may be useful. In dual mode, the extinguisher(s) are released after an alarm condition in both fire zones. In single mode, when only one fire zone is in alarm.

## 14.6 VFC RELAY (DP5)

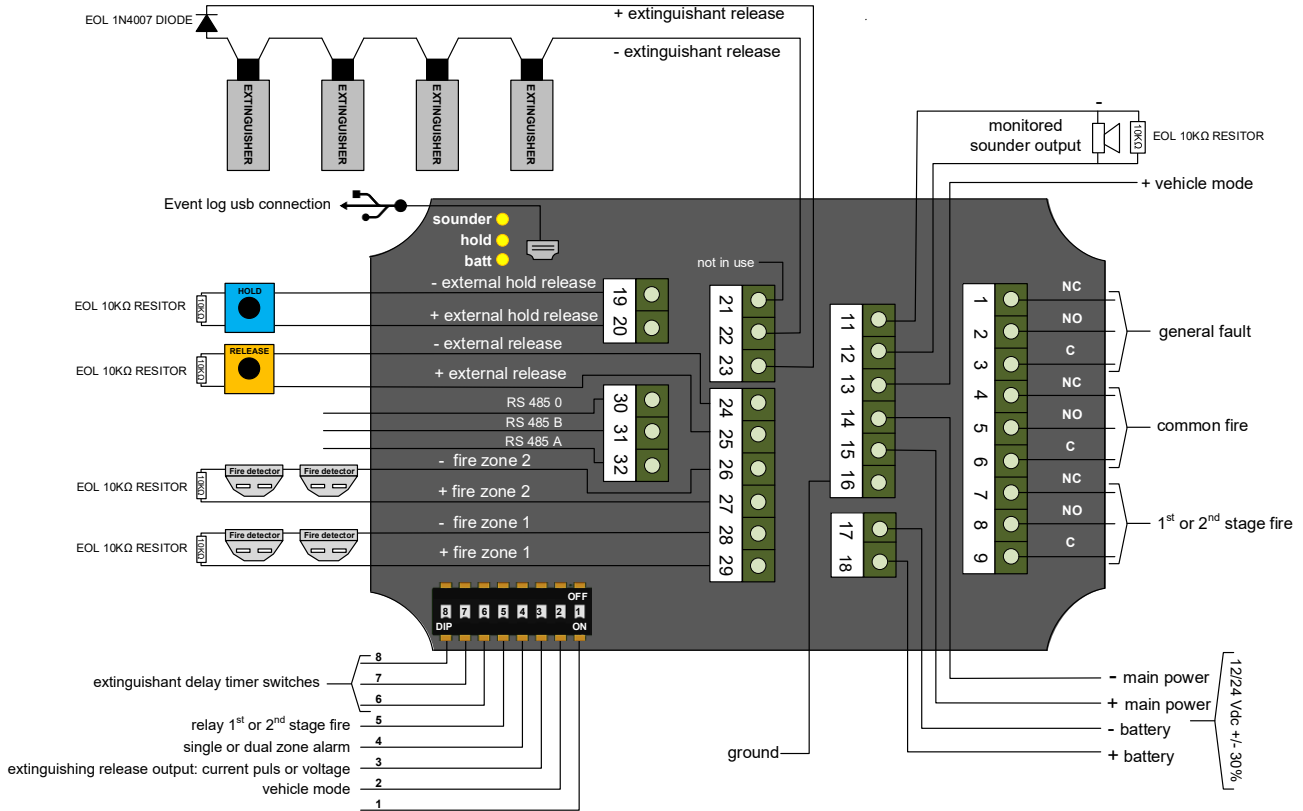
Here one has a choice to have the relay active at the first fire alarm or after the second fire alarm.

## 14.7 EXTINGUISHING DELAY TIMER (DP6-7-8)

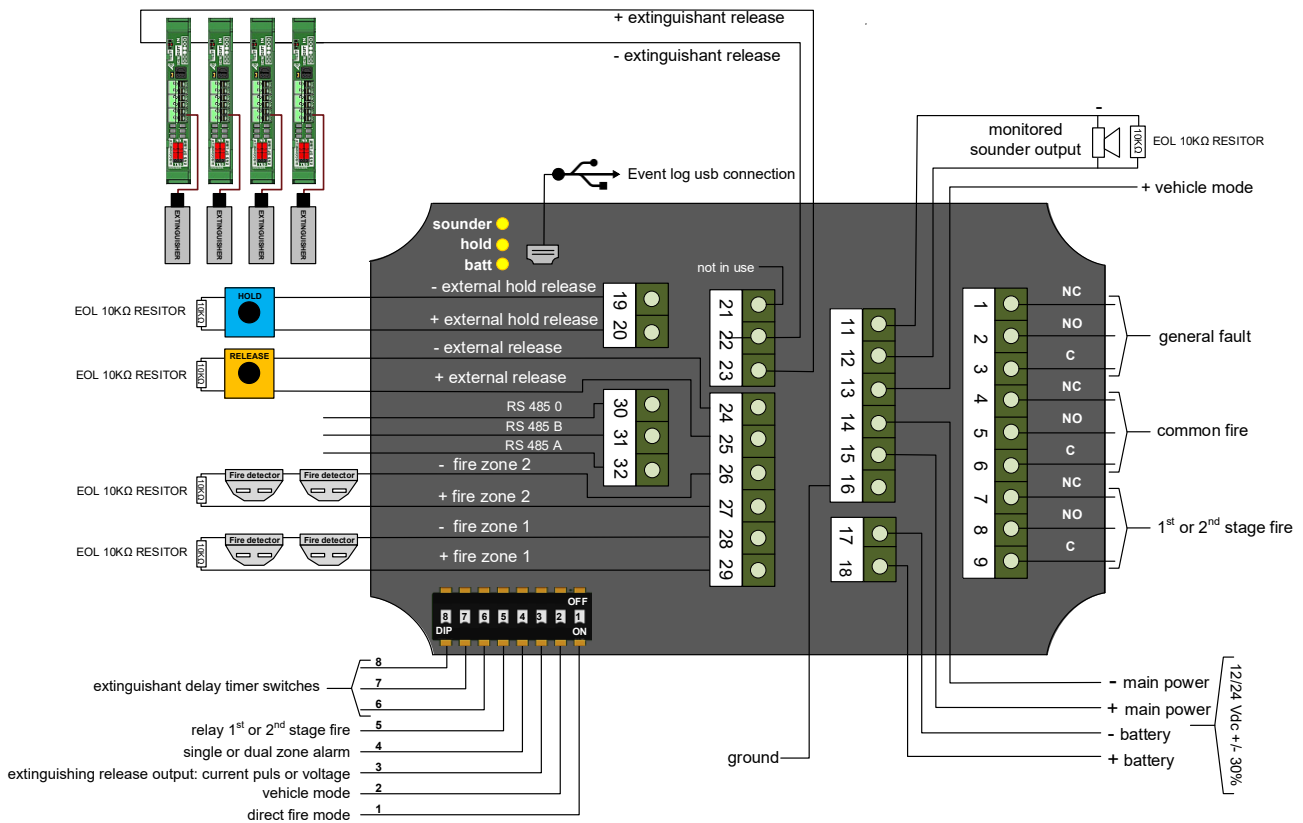
Extinguishing delay is only useful in normally occupied spaces. For the extinguishing delay timer setting, there are 3 DIP switches, which that can be set between 0 and 35 seconds, with steps of 5 seconds. The count-down timer is used to wait a certain amount of time before extinguisher system is activated.



# 15 WIRING DIAGRAM NANO CONNECTED TO IGNITING ACTUATORS



# 16 WIRING DIAGRAM NANO CONNECTED WITH AN ETB



# 17 CONNECTING USING THE EXTINGUISHER TERMINAL BOARD (ETB)

The ETB is developed for use with the NANO and aerosol extinguishers. This terminal connection board is equipped with built-in security electronics, which ensures that all igniters of the extinguishing units are activated. Together with an end line switch, this option turns the NANO system into a complete and reliable fire detection and extinguishing system.

## WARNING

Incorrect placement of the end line switch makes it possible to disable a part of the extinguisher's activation circuit. Therefore, a visual inspection is an essential part of the commissioning and maintenance engineers work.

**DISCONNECT EXTINGUISHER**

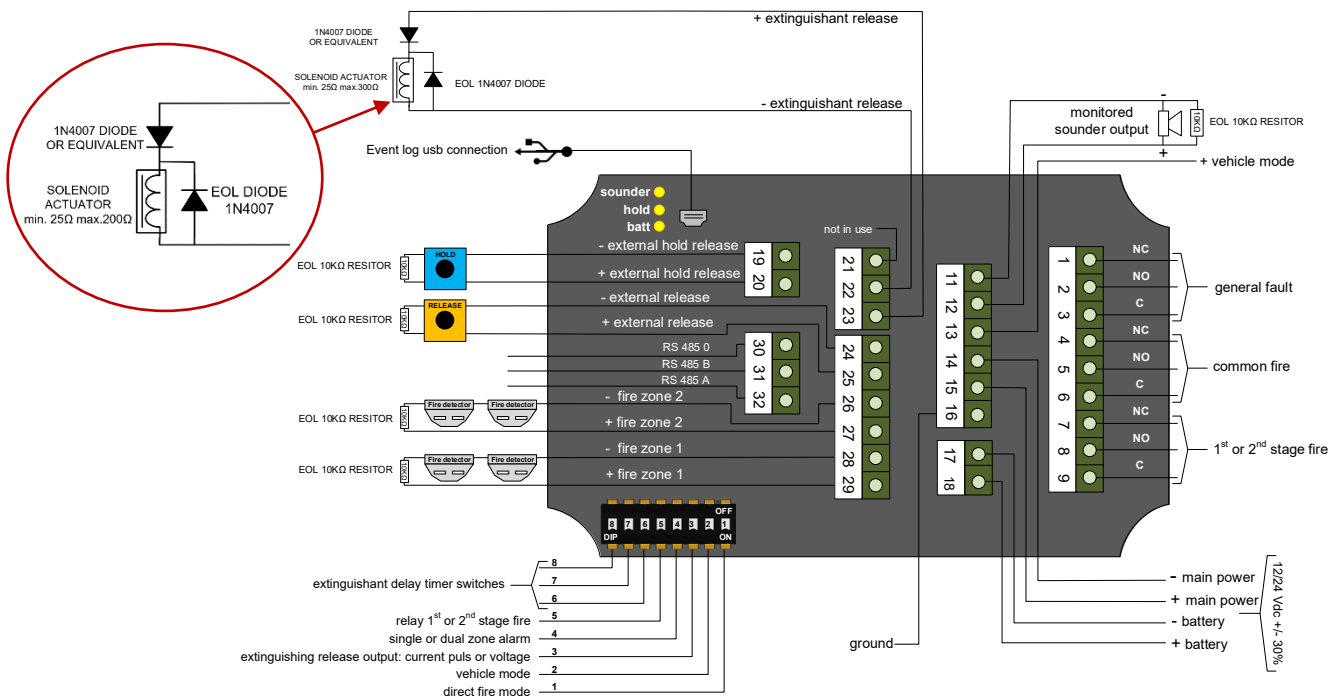
Move the disconnect switch in the YES position and the aerosol extinguisher is disabled and can not be activated. All ETB's connected thereafter will remain in operation. A disablement will be signaled as fault on the NANO.

**ENABLE END OF LINE DIODE**

To monitor for short circuit or wire break, only the end of line switch on the last ETB must be set into the YES position. A failure to do so will be signaled as a fault on the NANO panel.

# 18 WIRING DIAGRAM OF THE NANO MEANT FOR SOLENOID SYSTEM

In addition to a fire extinguishing output for electric igniters meant for aerosol fire extinguishing generators, the NANO also has an extinguishing output suitable for a solenoid-controlled fire extinguishing system. The extinguishant output is capable of supplying up to 1 Amp for the maximum duration to a solenoid. Solenoids must have a resistance of 25 to 200 ohms 18/28V DC, to ensure that the maximum current rating of the extinguishant output is not exceeded. The maximum cable impedance is 1.5Ω-5.0Ω depending on the coil impedance. Despite the presence of a button on the NANO front for manual extinguishing activation only, we do recommend a maintenance key switch in the extinguishing output line to perform test and maintenance work without activating the system.



## 19 WIRING & CABLE SPECIFICATIONS:

- There is NO need for shielded cable
- Use a pair twisted cable, this strength the protection against electrical or magnetic field.
- Minimal solid copper core diameter, extinguisher line cable <50 meters length 1,0 mm<sup>2</sup> (AWG 18)
- Minimal solid copper core diameter, extinguisher line cable >50 meters length 1,5 mm<sup>2</sup> (AWG 16)
- Minimal solid copper core diameter, fire detection cables 0,5mm<sup>2</sup> (AWG 20)
- Maximum solid copper core diameter other cables 1,0mm<sup>2</sup> (AWG 18)
- Maximum conductor loop resistance extinguisher line cable is 24 Ω/km.
- Maximum cable length of the fire zone cables is 50 meters
- Maximum cable length of the cable from NANO to ETB is 30 meters
- The total cable length of all extinguishers together is max 100 meters in total

## 20 TECHNICAL SPECIFICATION

### Environment

Ambient Temperature Range	-25 to +55 degrees Celsius
Dust and water rating	IP65
Compass safe distance	minimum 50 mm

### Power related specification

Input voltage main and emergency battery	12/24 VDC +/-30%
Maximum power usage	1 Watt quiescent 5 Watt in alarm
Maximum contact rate relays	30 VDC/1A
Voltage fire zone	15 Vdc
Limited alarm current fire detectors	60 mA

### Aerosol extinguisher output specification

Maximum Stat-X extinguisher count	5 connected on ETB max 100 meter cable
Maximum Stat-X extinguisher count	7 connected without ETB max 100 meter cable
Extinguisher release current	1,3A
Extinguisher release pulse length	50 ms

### Solenoid extinguisher output specification

End of line component	2 x back - EMF diodes 1N4004 or equal
Maximum number solenoids	1
Maximum coil resistance	25 to 200 ohms
Maximum current	1 A
Voltage	24Vdc
Extinguisher release pulse length	8 seconds

### Detection zone, hold and extinguishing release inputs

Normal state	> 8 kΩ < 12 kΩ
Alarm load	< 100 Ω >1.2 kΩ
Zone fault thresholds	< 100 Ω   > 1.2 kΩ < 8 kΩ   > 12 kΩ
Alarm resistant	470 Ω
End of line resistant	10 kΩ



# 21 DEVICES SUPPORTED BY THE NANO

## 21.1 DETECTION DEVICE SUPPORT

The detector types below have been evaluated on the NANO and are approved for such		
Part no	Type	Brand
ORB-OP-42001-MAR <sup>1</sup>	smoke detector	Apollo
ORB-OH-43001-MAR <sup>1</sup>	smoke/heat detector	Apollo
ORB-HT-41002-MAR <sup>1</sup>	heat 61°C detector	Apollo
ORB-HT-41004-MAR <sup>1</sup>	heat 73°C detector	Apollo
ORB-HT-41006-MAR <sup>1</sup>	heat 90°C detector	Apollo
ORB-MB-00001-MAR	standard detector base	Apollo

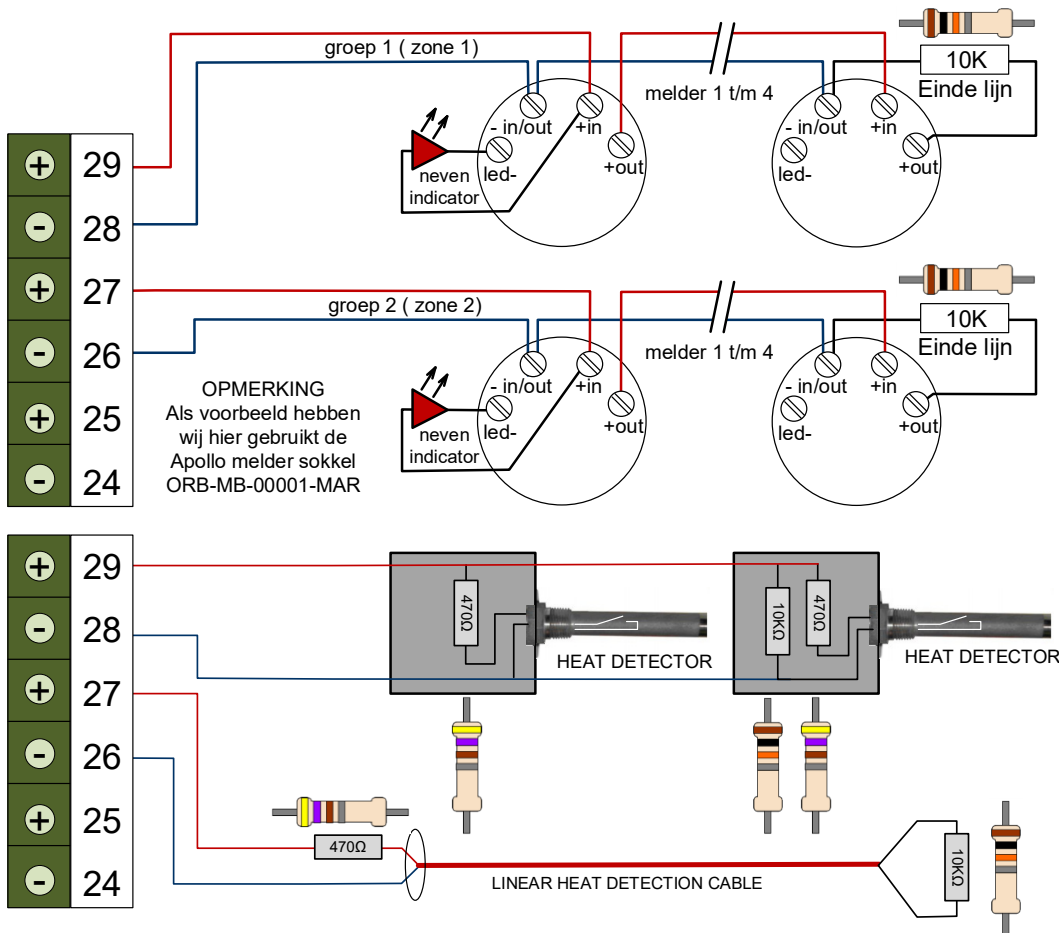
## 21.2 SOUNDER / BEACON DEVICE SUPPORT

Part no	Type	Brand
VTB-32EM-DB-RB/RL (VTB <sup>2</sup> )	sounder beacon	Cranford

Note: <sup>1</sup> Device input voltage 15 – 22 VDC Note: <sup>2</sup> Device input voltage 18 – 22 VDC  
 Always check the specification of the devices before installing them on the NANO.

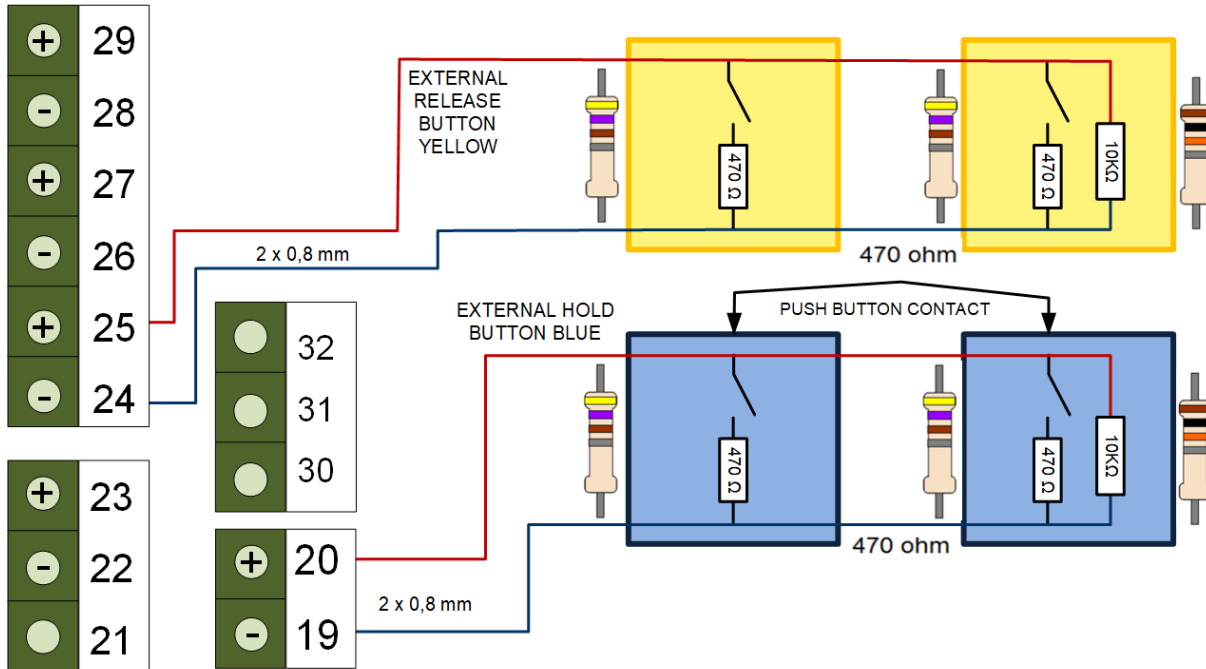
# 22 NANO FIRE DETECTOR AND WIRING OPTIONS

There are 3 options for connecting fire detectors to the NANO alarm panel.  
 Conventional Apollo Orbis fire detectors, heat spot detectors or linear cable heat detection.



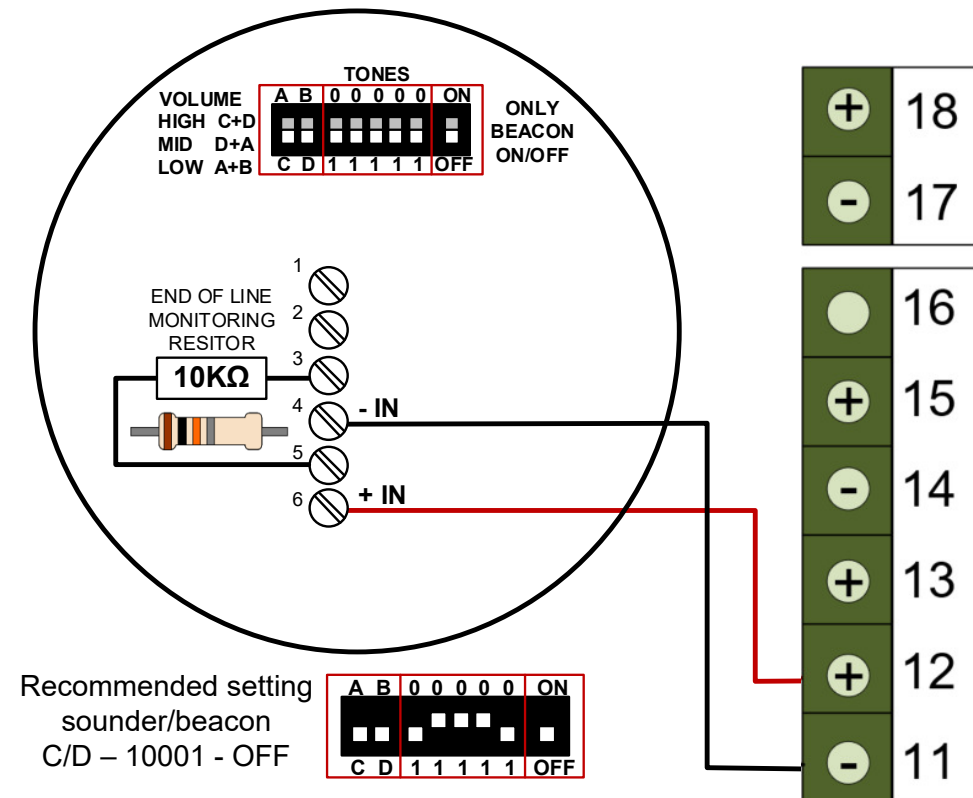
## 23 NANO EXTERNAL EXTINGUISHERS RELEASE & HOLD WIRING OPTION

The NANO has a separate input for external extinguishing release and external hold-off button.



## 24 NANO EXTERNAL VTB-EM SOUNDER & BEACON WIRING OPTIONS

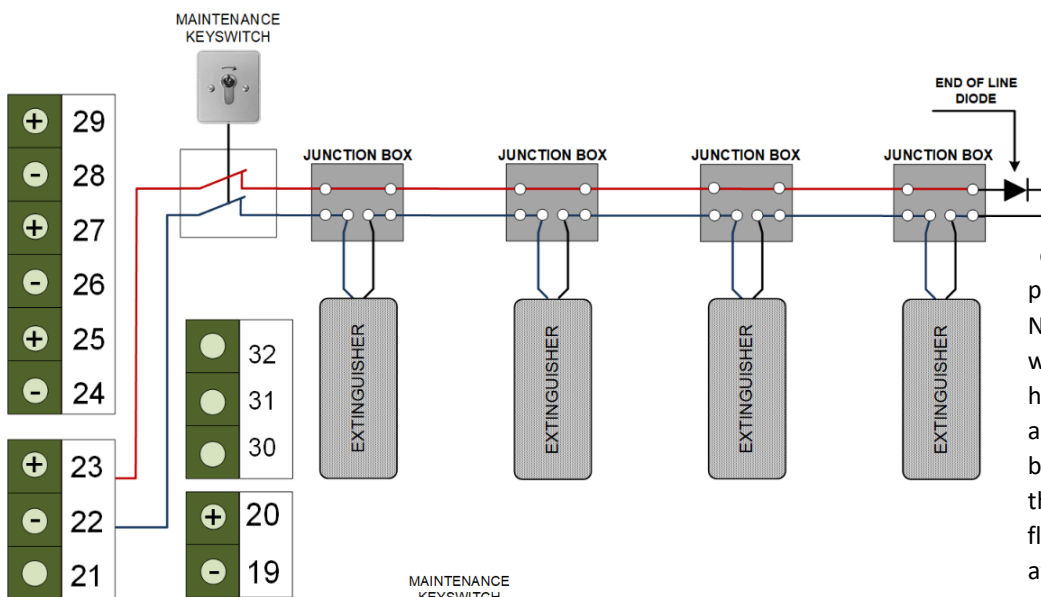
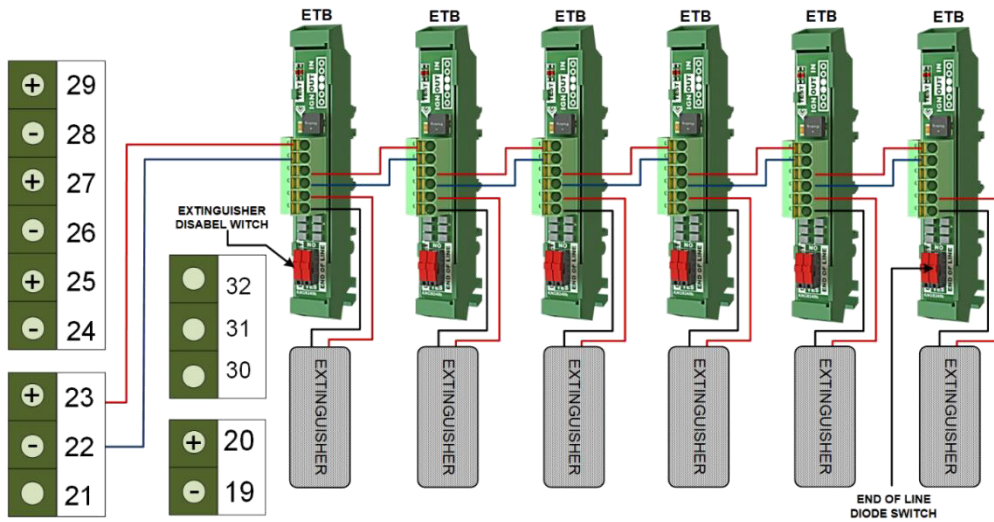
By a single sounder beacon follow the connection diagram below. The recommended setting gives the best and deviating alarm signal compared to the usual evacuation alarm signal for example on vessels.



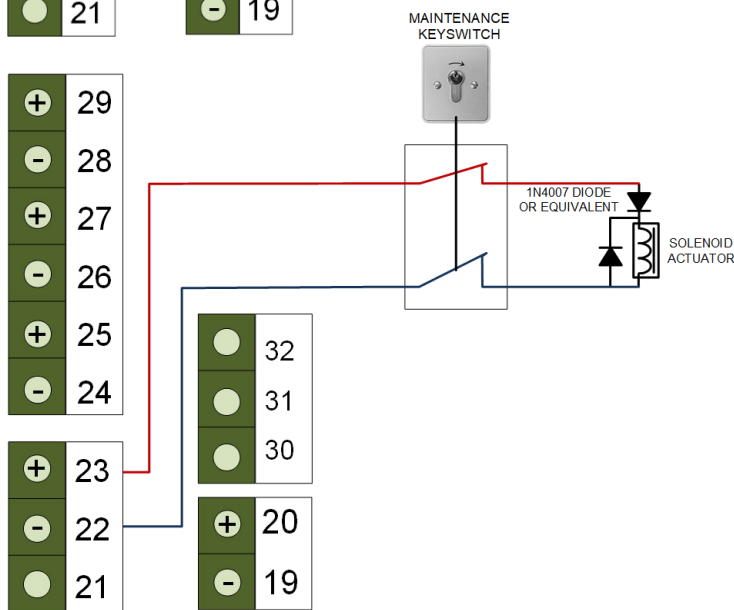
In some cases, the installation of a second signaling device is necessary. For more options, and wiring advice, please refer to our comprehensive user manual.



# 25 NANO EXTINGUISHERS CONNECTIONS



A connection as shown with a junction box is technically possible. But it is not covered by our warranty. We can only guarantee the proper functioning of the NANO in combination with an ETB. Only an ETB has a bridge protection against a possible early blockage, which ensures that the activation current flows through all igniters at all times.



Outdated or replaced computers and electronics are valuable sources for secondary raw materials, if recycled. Dealers of the NANO system must comply with local regulations for waste separation applicable in the country where the supplier is located. Questions concerning the information presented in this manual may be addressed to your dealer. For technical questions or support contact your dealer or further assistance.

