



TECHNICAL BULLETIN

HOLD FUNCTION

This technical bulletin is an integral part of the μ -FEP and NANO user manuals.

1 BASIC FUNCTIONALITY OF THE HOLD BUTTON

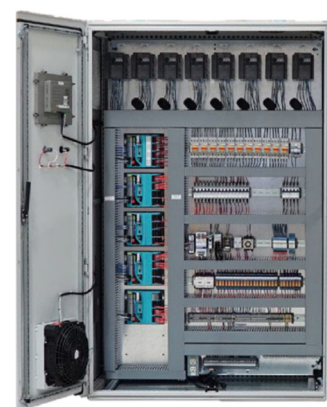
The hold function on an extinguishant releasing panel and/or system is primarily meant of delaying the extinguishant release sequence. The purpose of delaying is to be able to evacuate people out of an occupied area before an extinguishing release. Secondly to intervene and to avoid an unwanted extinguishing system release. The hold function is only applicable if an extinguishing release delay time has been set.



2 AVOIDING A POINTLESS EXTINGUISHING

The HOLD function is not primarily intended to prevent an useless extinguishing, but had evacuation intentions. However, extinguishing systems are not only used in occupied areas, but have many possibilities and fields of application. For example, to protect electrical cabinets meant for terminal, control and/or process applications.

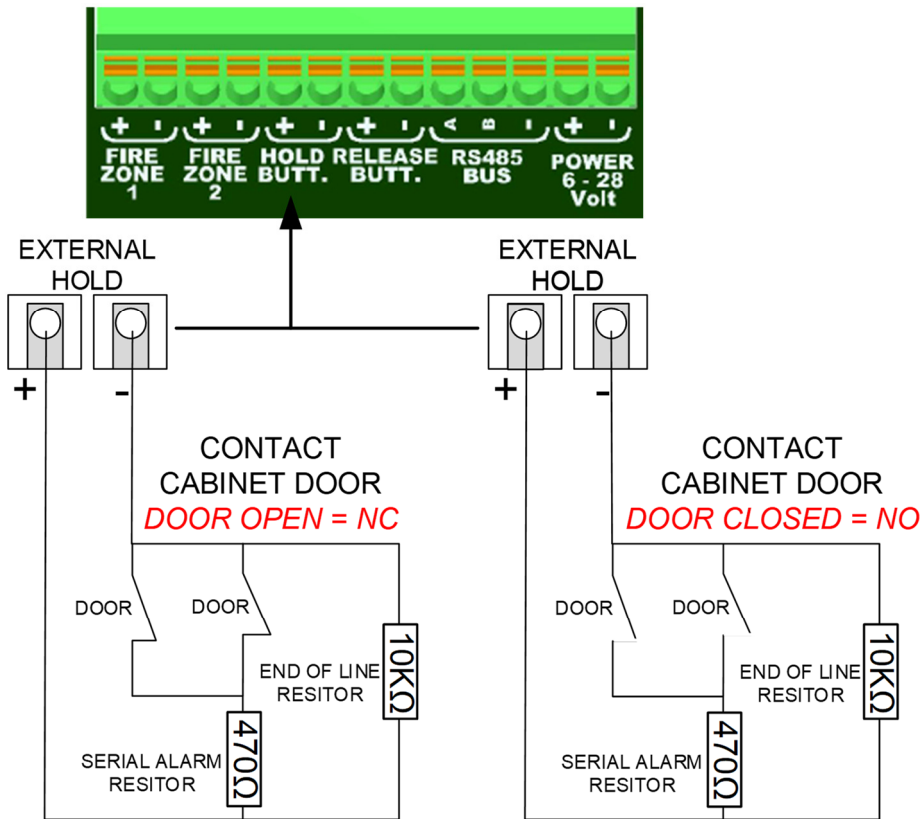
But, there is no point in extinguishing a fire in a room, electrical cabinet or battery container with open doors. It makes no sense, and it will also fail to extinguish a fire in that volume with open doors. To avoid such a situation, we can use the HOLD function of the μ -FEP or NANO control panels.



3 HOW TO PROGRAM/CONNECT THE HOLD FUNCTION FOR OPEN DOOR PROTECTION

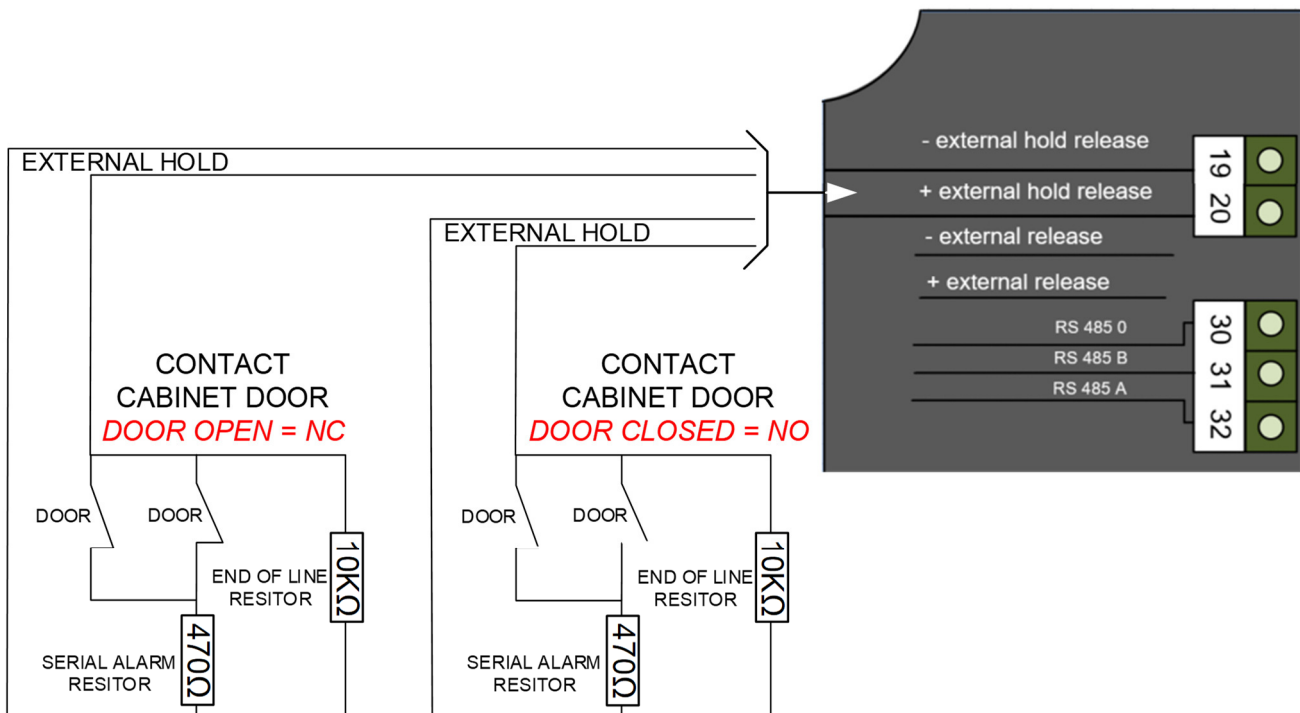
- 1) Never use the HOLD function without a programmed delay time
- 2) Program a delay time.
- 3) The minimum delay time to program is 5 seconds.
- 4) The door contacts must close in open position.
- 5) Beware of the differences between the μ -FEP and the NANO.
- 6) Connecting to a μ -FEP see image 4
- 7) connecting to a NANO see image 5

4 CONNECTING TO THE μ -FEP



PROGRAM THE EXTINGUISHING RELEASE
DELAY TIME ON MINIMAL 5 SECONDS

5 CONNECTING TO THE NANO



PROGRAM THE EXTINGUISHING RELEASE
DELAY TIME ON MINIMAL 5 SECONDS